

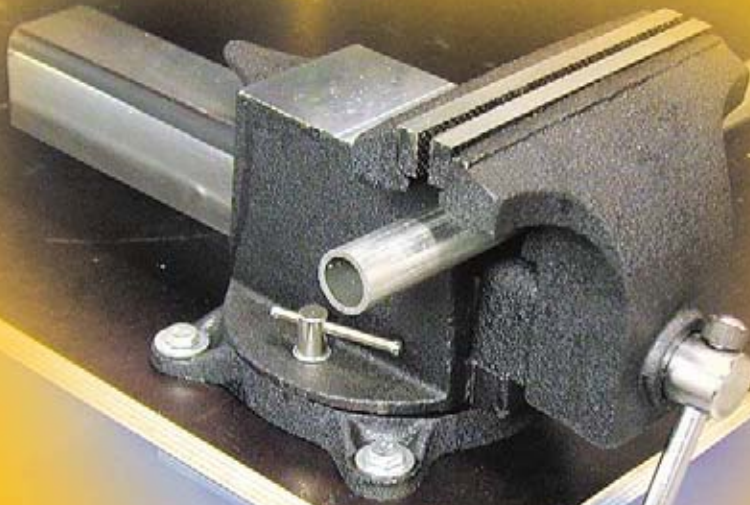


www.ikh.fi

CLAMPS, VICES



8





www.ikh.fi

8. CLAMPS, VICES

Angle press	4
Band clamp.....	4
Clamps	2-4
Clamps/spreaders	3
Cross vices	5
General use clamps.....	2,3
Machine vices.....	5
Multi-purpose magnets.....	4
Power clamps	3
Quick clamps.....	2
Table vices.....	5
Toggle clamps	4
Universal vice	4
Welding angle press	4



Quality for clamping!



GENERAL USE CLAMPS



- made of medium-carbon steel, heat-treated, nickel and chrome plated
- pivoting handle to increase the clamping pressure
- for general use

Order no.	Size (mm)	Rail (mm)	Weight (kg)	Pack.size	EAN
XREG16C	160x80	16x7,5	0,59	/10	6418914609341
XREG20C	200x100	19,5x9,5	0,98	/10	6418914609358
XREG25C	250x120	22x10,5	1,33	/10	6418914609365
XREG30C	300x140	25x12	1,98	/10	6418914609372
XRESG40C	400x120	25x12	2,04	/10	6418914609389
XRESG50C	500x120	25x12	2,25	/10	6418914609396
XRESG60C	600x120	25x12	2,46	/10	6418914609402
XRESG80C	800x120	27x13	3,40	/6	6418914609419
XRESG100C	1000x120	27x13	3,88	/6	6418914609426
XRESG125C	1250x120	27x13	4,50	/4	6418914609433
XRESG150C	1500x120	27x13	5,11	/4	6418914609440
XREG40C	400x175	27x13	2,70	/10	6418914609457
XREG60C	600x175	27x13	3,19	/10	6418914609464
XREG80C	800x175	27x13	3,68	/6	6418914609471



QUICK CLAMPS



- made of medium-carbon steel, heat-treated, nickel and chrome plated
- for high pressure and quick clamping

Order no.	Size (mm)	Rail (mm)	Weight (kg)	Pack.size	EAN
XG16L	160x80	16x7,5	0,54	/10	6418914609488
XG20L	200x100	19,5x9,5	1,00	/10	6418914609495
XG25L	250x120	22x10,5	1,62	/10	6418914609501
XG30L	300x140	25x12	2,42	/10	6418914609518
XG40L	400x120	25x12	2,55	/10	6418914609525
XG50L	500x120	25x12	2,76	/10	6418914609532
XG60L	600x120	25x12	2,97	/10	6418914609549
XG80L	800x120	27x13	3,08	/6	6418914609556



CLAMPS



- made of medium-carbon steel, heat-treated, nickel and chrome plated
- steel T-spindle to provide extra clamping force
- textured surface for maximum safety

Order no.	Size (mm)	Rail (mm)	Weight (kg)	Pack.size	EAN
XS15C6	150x60	19,5x9,5	0,80	/10	6418914609570
XS20C8	200x80	22x10,5	1,10	/12	6418914609587
XS20C10	200x100	25x12	1,50	/12	6418914609594
XS25C10	250x100	25x12	1,61	/12	6418914609600
XS30C10	300x100	25x12	1,72	/12	6418914609617



CLAMPS



- made of medium-carbon steel, heat-treated, nickel and chrome plated
- steel T-spindle to provide extra clamping force
- clamping pads replaceable

Order no.	Size (mm)	Rail (mm)	Weight (kg)	Pack.size	EAN
XS20C12	200x120	27x13	1,97	/10	6418914609624
XS25C12	250x120	27x13	2,09	/10	6418914609631
XS30C12	300x120	27x13	2,21	/10	6418914609648
XS40C12	400x120	27x13	2,46	/10	6418914609655
XS50C12	500x120	27x13	2,71	/10	6418914609662
XS60C12	600x120	27x13	2,96	/10	6418914609679

CLAMPS

- sliding arm made of drop-forged steel, heat-treated and bright-zinc galvanized
- rail with load-independent action mechanism, maximum reliability and longevity
- high-quality and easily threading spindle
- special, easily replaceable pressure pad with integrated spindle lock



- 25% more powerful grip than conventional grips, handy and ergonomic shape, made of good-grip beechwood

TURNUS



Order no.	Opening/throat depth mm	Rail mm	Nominal clamping strength kg	Pack. size	EAN
KU470012	120 x 60	13,5 x 6,5	0,30	1/10	4027474536527
KU470016	160 x 80	16 x 7,5	0,50	1/10	4027474536602
KU470020	200 x 120	19,5 x 9,5	0,90	1/10	4027474536787
KU470025	250 x 120	22 x 10,5	1,30	1/10	4027474536862
KU470030	300 x 120	25 x 12	1,80	1/10	4027474536947
KU470040	400 x 120	25 x 12	1,90	1/5	4027474537029
KU470050	500 x 120	25 x 12	2,20	1/5	4027474537104
KU470060	600 x 120	25 x 12	2,40	1/5	4027474537289
KU470080	800 x 120	25 x 12	3,30	1/5	4027474537364
KU470100	1000 x 120	27 x 13	3,80	1/5	4027474537449
KU470125	1250 x 120	27 x 13	4,40	1	4027474537517

CLAMPS

- both arm and rail made of die-forged steel



- high-quality and easily threading spindle

TURNUS



Order no.	Opening/throat depth mm	Rail mm	Packing size	EAN
KU469012	120 x 60	13,5 x 6,5	1/10	4027474706562
KU469016	160 x 80	16 x 7,5	1/10	4027474706647
KU469020	200 x 120	19,5 x 9,5	1/10	4027474706722
KU469025	250 x 120	22 x 10,5	1/10	4027474706807
KU469030	300 x 140	25 x 12	1/10	4027474706982
KU469040	400 x 120	25 x 12	1/5	4027474707064
KU469060	600 x 120	25 x 12	1/5	4027474707224

CLAMPS



IRWIN



T-BAR CLAMPS

- resist twisting and distortion under clamping pressures up to 1,9 tons
- both the head and slide are guaranteed unbreakable
- packing size: 1



Order no.	Size mm	Packing size	EAN
XKL080150	80 x 150	/50	6418914622708
XKL120250	120 x 250	/10	6418914622715
XKL120400	120 x 400	/10	6418914622722
XKL120600	120 x 600	/10	6418914622739
XKL1201200	120 x 1200	/6	6418914622746
XKL1201500	120 x 1500	/4	6418914622753

Order no.	Capacity	Rail length	EAN
AM011	1070 mm	1220 mm	0734442034087
AM012	1680 mm	1830 mm	0734442034445



CLAMPS / SPREADERS

- non-marking pads – get a firm grip without damaging the surface
- steel bar
- one handed clamping and quick release trigger
- can easily be changed from clamp to spreader
- packing size: /10



Order no.	Clamp capacity	Spreading capacity	Throat depth	EAN
IKH7239	150 mm	165-355 mm	65 mm	6418914507968
IKH7240	300 mm	165-510 mm	65 mm	6418914507975
IKH7241	450 mm	165-660 mm	85 mm	6418914507982
IKH7242	600 mm	165-815 mm	85 mm	6418914507999
IKH7243	900 mm	165-1120 mm	85 mm	6418914508002



POWER CLAMPS

- pivoting rubberized jaws hold tight even on irregular surfaces
- jaw design grips also round objects such as pipes etc.
- durable nylon construction
- unique stepless pressure control design allows virtually any pressure position desired
- easy one hand application
- comfortable grip
- quick one finger pressure release

Order no.	Size	Jaw capacity	Pack. size	EAN
IKH7236	125 mm	38 mm	1/12/72	6418914507937
IKH7237	175 mm	58 mm	1/12/48	6418914507944
IKH7238	225 mm	100 mm	1/12/48	6418914507951



BAND CLAMP

TPG95700

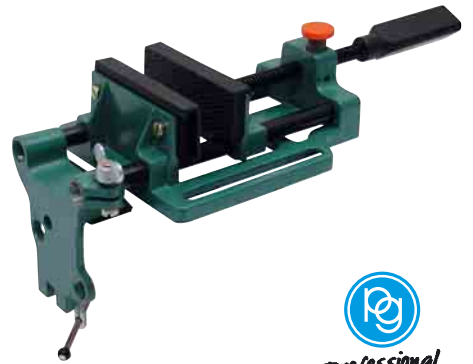
- length of band 4 m
- packing size: 1/25
- EAN 8011017957005



UNIVERSAL VICE

TPG95400

- 70 mm jaws
- packing size: 1/7
- EAN 8011017954004



**UNIVERSAL VICE
table mounting**

TPG95410

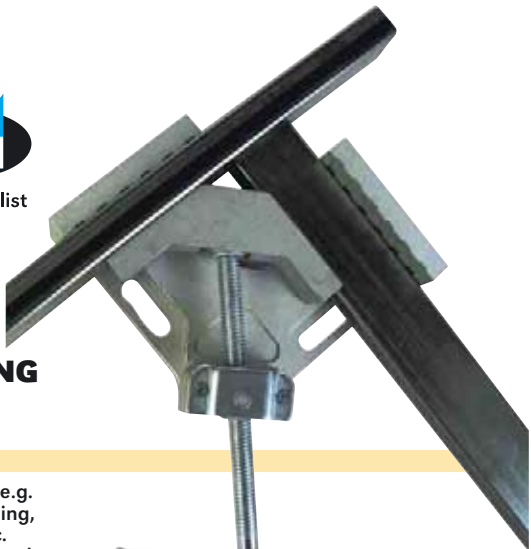
- 100 mm jaws
- jaws with rubber covers
- packing size: 1/7
- EAN 8011017954103



**ANGLE PRESS
90°**

TPG95500

- 70 mm jaws
- packing size: 1/20
- EAN 8011017955001



**WELDING
ANGLE
PRESS**

XTH1211

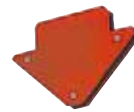
- necessary e.g. when welding, drilling etc.
- also for pressing different sized pipes due to flatable position adjustment
- packing size: 1/20
- EAN 6418914607637



MULTI-PURPOSE MAGNETS



- strong magnet keeps your hands free e.g. when assembling, soldering etc.
- 8 magnet surfaces
- angles 45°, 90°, 135°



75 mm

X7601

- packing size: 1/15/60
- EAN 6418914607941



90 mm

X7601A

- demagnetization
- packing size: 1/12/24
- EAN 6418914607958



CLAMPS

- packing size: 1

Order no.	Type	EAN
XK6003	flanged	6418914512863
XK6004	straight base	6418914512870



**ADJUSTABLE HEIGHT
TOGGLE CLAMPS**



Order no.	Size mm	Rail mm	Weight kg	Pack. size	EAN
XAT1C	110 x 40	16 x 7,5	0,67	/30	6418914609761
XAT2C	130 x 75	22 x 10,5	1,94	/12	6418914609778

IRWIN
Record.



MACHINE VICE 100 mm

AM010

- the sliding jaw is a non-lifting swivel type capable of holding any shape of workpiece
 - the slotted base enables the vise to be bolted to drill tables
 - the base, end face and side faces are machined
 - a loose tommy bar for screw adjustment
 - jaw width 100 mm
 - jaw max. opening 80 mm
 - jaw depth 32 mm
 - packing size: 1
- EAN 0734442001560



MACHINE VICES

- turnable 360°
- body made of cast iron
- packing size: 1

Order no.	Jaw width	Jaw opening	Outer dimensions	EAN
IKH7048	100 mm	110 mm	L320, W220, H133	6418914615861
IKH7049	150 mm	150 mm	L430, W290, H161	6418914615878



MACHINE VICES

Order no.	Size	Packing size	EAN
XK4003	75 mm	1/10	6418914615861
XK4004	100 mm	1/10	6418914615878
XK4006	150 mm	1/6	6418914615885



CROSS VICES

Order no.	Size	Packing size	EAN
X005060	100 mm	1	6418914149335
X005061	150 mm	1	6418914149342

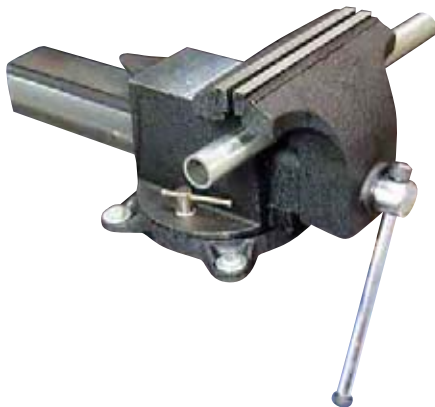


TABLE VICES

- swivel base
- anvil
- also tube jaws
- packing size: 1

Order no.	Size	EAN
X005043	100 mm	6418914149274
X005043C	125 mm	6418914618756
X005043A	150 mm	6418914149281
X005043B	200 mm	6418914149298



**TABLE VICES
Light Duty**

- swivel base
- with anvil

Order no.	Size	Packing size	EAN
XK4100	100 mm	/2	6418914621640
XK4101	125 mm	1	6418914621657
XK4102	150 mm	1	6418914621664